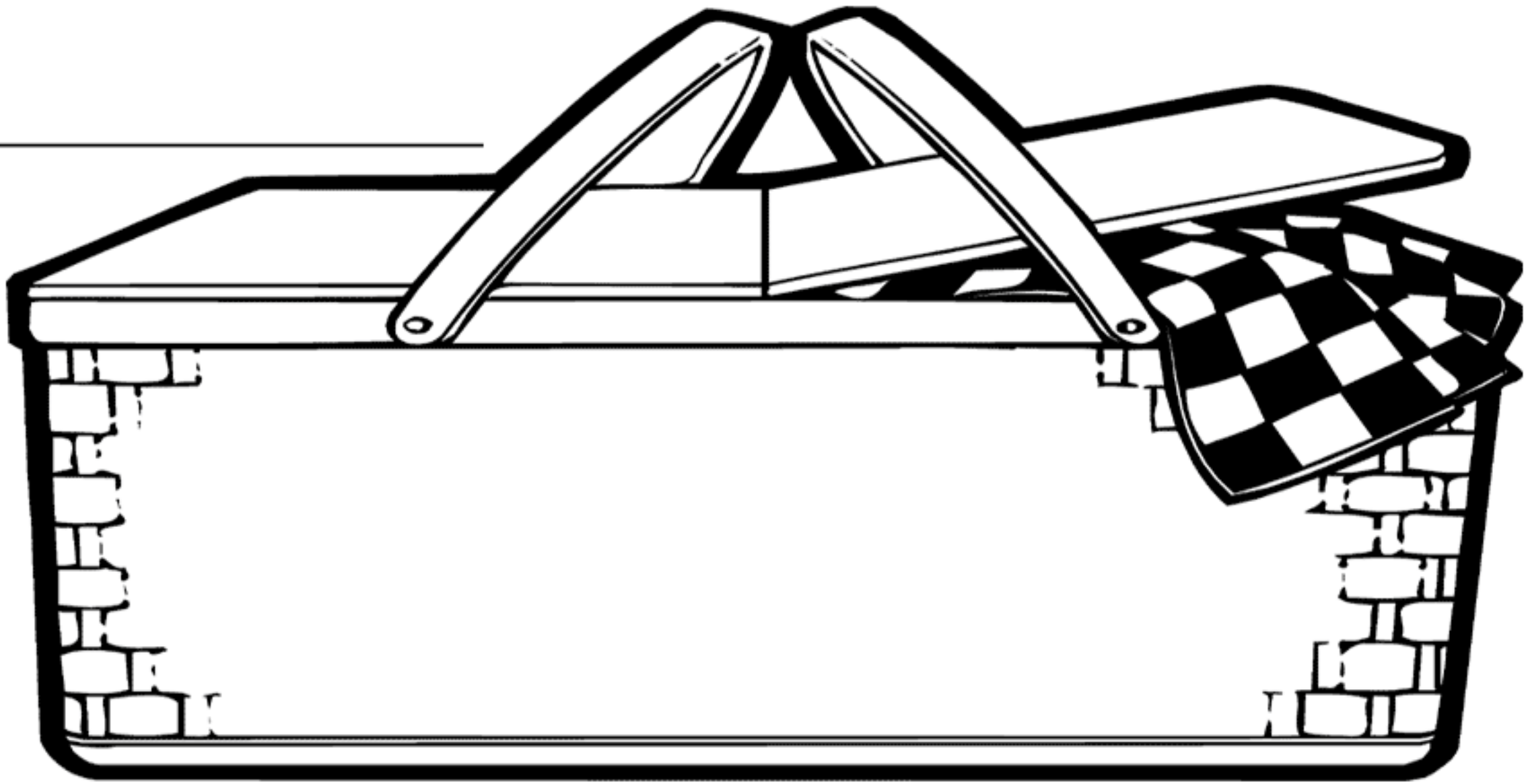


Name _____

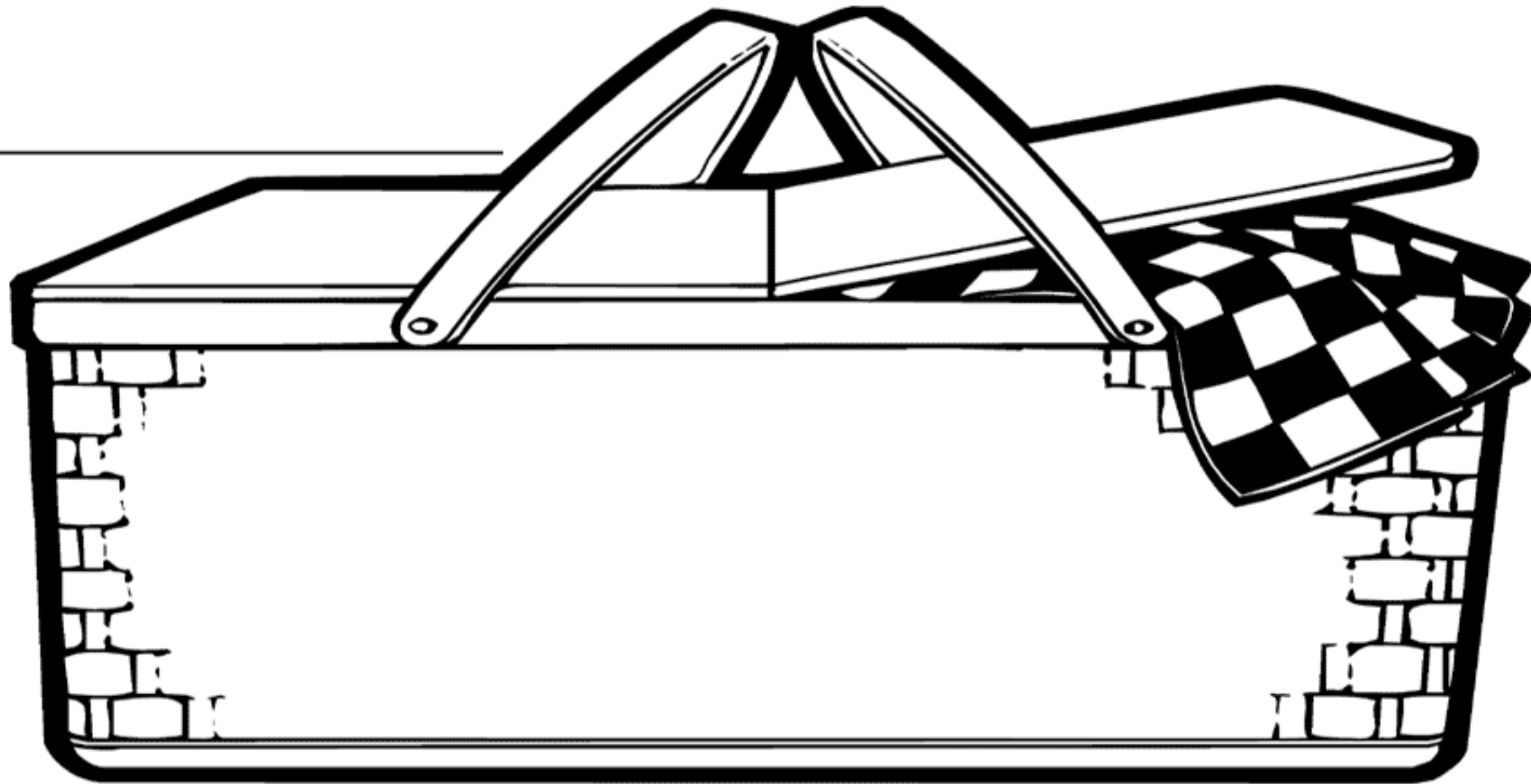
Date _____

Sort into the three baskets. Be sure to label each basket.

Topic: _____



Topic: _____



Topic: _____

